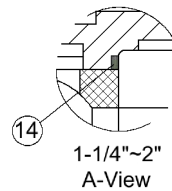
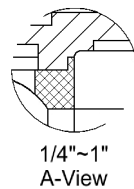
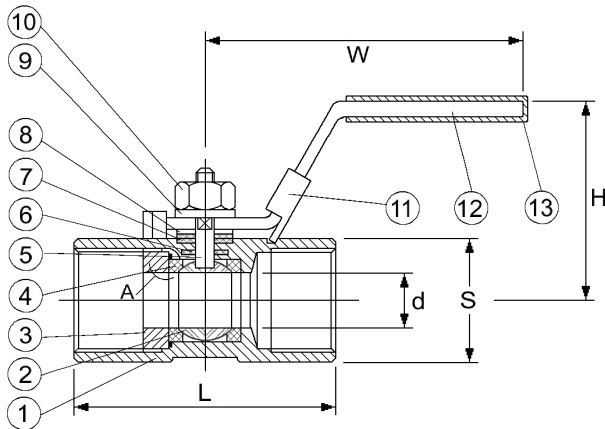
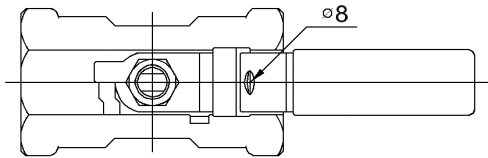
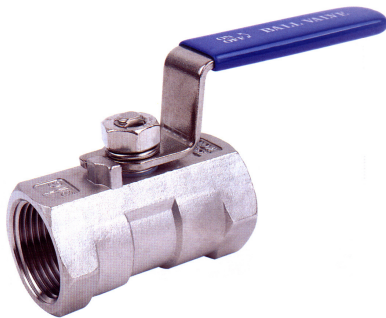


## 1000 WOG - 1 PIECE REDUCED PORT STAINLESS STEEL BALL VALVE

FIG. V1



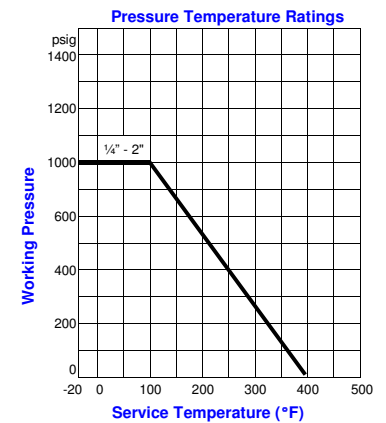
Compliance: MSS SP-110  
 Blow-out proof stem  
 Threaded ends: ANSI B1.20.1  
 Size range: 1/4" to 2"  
 Pressure 1/4" to 2": 1000 psi (WOG)

**Materials:**

No.	Part Name	Specification
1	Body	ASTM A351-CF8M
2	Ball	ASTM A351-CF8M
3	Insert	ASTM A351-CF8M
4	Seat	PTFE
5	Stem	ANSI 316
6	Thrust Washer	PTFE
7	Stem Packing	PTFE
8	Gland	ANSI 304
9	Washer	ANSI 304
10	Nut	ANSI 304
11	Locking Device	ANSI 304
12	Handle	ANSI 304
13	Handle Sleeve	Plastic
14	Body Seal	PTFE

**Options:**

- L: Locking Device
- W: Wing Handle



**Dimensions:**

Size		$\varnothing d$		L		S		H		W		CV	Weights	
in	mm	in	mm	in	mm	in	mm	in	mm	in	mm		lb	kg
1/4"	8	.19	5	1.54	39	.67	17	1.38	35	2.72	69	3.8	.132	.06
3/8"	10	.28	7.2	1.73	44	.83	21	1.42	36	3.11	79	8.15	.229	.104
1/2"	15	.36	9.2	2.22	56.5	.98	25	1.57	40	4.29	109	13.78	.418	.19
3/4"	20	.49	12.5	2.32	59	1.26	32	1.65	42	4.29	109	26.44	.581	.264
1"	25	.59	15	2.80	71	1.49	38	1.85	47	4.39	111.7	39.7	.924	.42
1 1/4"	32	.79	20	3.07	78	1.89	48	2.08	53	4.39	111.7	72.16	1.43	.65
1 1/2"	40	.98	25	3.27	83	2.09	53	2.44	62	6.18	157	135.5	1.848	.84
2"	50	1.26	32	3.94	100	2.52	64	2.64	67	6.12	155.5	198.8	2.926	1.33