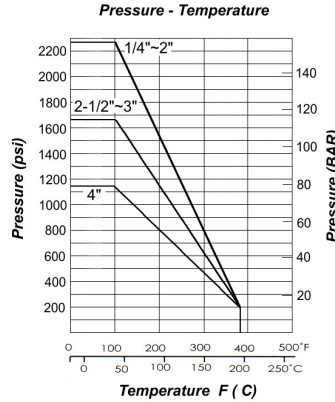
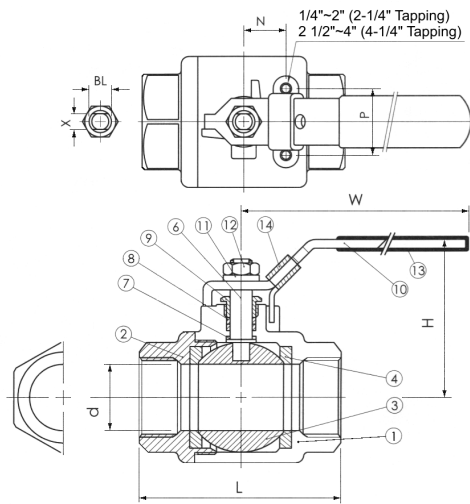


2000 WOG - 2 PIECE FULL PORT STAINLESS STEEL BALL VALVE

FIG. V2



Compliance: MSS SP-110
 Threaded ends: ANSI B1.20.1
 Blow-out proof stem
 Size range: 1/4" to 4"
 Pressure 1/4" to 2" : 2000 psi (WOG)
 Pressure 2 1/2" & 3" : 1500 psi (WOG)
 Pressure 4" : 1000 psi (WOG)

Materials:

No.	Part Name	Specification
1	Body	ASTM A351-CF8M
2	End Cap	ASTM A351-CF8M
3	Ball	ASTM A351-CF8M
4	Seat	PTFE
5	Joint Gasket	PTFE
6	Stem	ANSI 316
7	Thrust Washer	PTFE
8	Stem Packing	PTFE
9	Gland	ANSI 304
10	Handle	ANSI 430
11	Spring Washer	ANSI 304
12	Handle Nut	ANSI 304
13	Handle Cover	PVC
14	Lock Device	ANSI 304

Options:

- V: Vented ball
- M: Tapped Mounting pad
- P: equipped with Pneumatic actuator
- U: UNC or UNF threads for mounting pad
- L: Locking Device

Dimensions:

Size		ød		L		BL	P	H		X	W		N	CV	Weights	
in	mm	in	mm	in	mm	in	mm	in	mm	mm	in	mm	mm		lb	kg
1/4"	8	.46	11.6	2.38	60.5	5/16"	28.5	2.2	56	5	3.74	95	12.5	6.6	.73	0.33
3/8"	10	.5	12.7	2.38	60.5	5/16"	28.5	2.2	56	5	3.74	95	12.5	7.9	.73	0.33
1/2"	15	.59	15	2.46	62.5	5/16"	28.5	2.2	56	5	3.74	95	12.5	11.2	.88	.4
3/4"	20	.79	20	3.03	77	3/8"	34.8	2.48	63	6.5	4.33	110	21	21	1.41	.64
1"	25	.99	25.4	3.54	90	7/16"	34.8	3.03	77	8	5.31	135	22.5	35	2.4	1.09
1 1/4"	32	1.26	32	3.94	100	7/16"	38.1	3.27	83	8	5.31	135	23.5	57	3.39	1.54
1 1/2"	40	1.5	38	4.65	118	1/2"	38.1	3.90	99	9	6.5	165	23.5	80	5.06	2.3
2"	50	2	50.8	5.43	138	1/2"	38.1	4.25	108	9	6.5	165	34	150	8.36	3.8
2 1/2"	65	2.6	65	6.57	167	3/4"	56	5.59	142	12	8.46	215	35	265	14.96	6.8
3"	80	3.15	80	7.6	193	3/4"	56	6.06	154	12	8.46	215	35	415	25.28	11.58
4"	100	3.94	100	10.24	260	1"	63	6.97	177	16	12.80	325	50	780	50.6	23