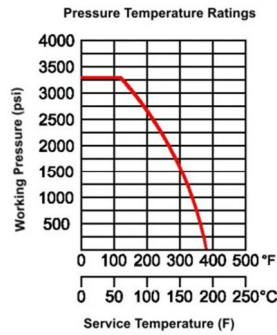


## 3000 WOG - 2 PIECE FULL PORT STAINLESS STEEL BALL VALVE

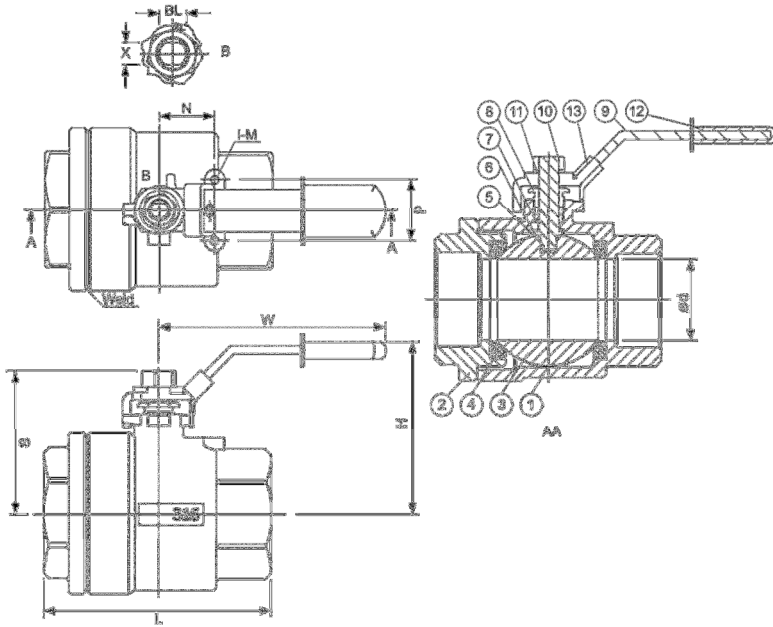
FIG. V23



Compliance: MSS SP-110  
 Blow-out proof stem  
 Threaded ends: ANSI B1.20.1  
 Size range: 1/4" to 2"  
 Pressure 1/4" to 2": 3000 psi (WOG)

**Materials:**

No.	Part Name	Specification
1	Body	ASTM A351-CF8M
2	End Cap	ASTM A351-CF8M
3	Ball	ASTM A351-CF8M
4	Seats	1/4"~1 1/4" - R-PTFE 1 1/2"~2" - PC-TFE
5	Stem	ANSI 316
6	Thrust Washer	R-PTFE
7	Stem Packing	R-PTFE
8	Gland	ANSI 304
9	Handle	ANSI 430
10	Stem Nut	AISI 304
11	Spring Washer	AISI 304
12	Handle Sleeve	Plastic
13	Lock Device	AISI 304



**Options:**

- V: Vented ball
- M: Tapped Mounting pad
- P: equipped with Pneumatic actuator
- U: UNC or UNF threads for mounting pad
- L: Locking Device

**Dimensions:**

Size		Ød		L		S	BL	P	I-M	H		X	W		N	CV	Weights	
in	mm	in	mm	in	mm	mm	in	mm		in	mm	mm	in	mm	mm		lb	kg
1/4"	8	0.46	11.6	2.38	60.5	42.4	5/16"	28.5	2-1/4 20UNC	2.28	58	5	3.74	95	12.5	6.6	0.73	0.33
3/8"	10	0.50	12.7	2.38	60.5	42.4	5/16"	28.5	2-1/4 20UNC	2.28	58	5	3.74	95	12.5	7.9	0.73	0.33
1/2"	15	0.59	15	2.46	62.5	42.4	5/16"	28.5	2-1/4 20UNC	2.28	58	5	3.74	95	12.5	11.2	0.75	0.34
3/4"	20	0.79	20	3.03	77	52.3	3/8"	34.8	2-1/4 20UNC	2.46	62.5	6.5	4.33	110	21	21	1.32	0.60
1"	25	0.99	25.4	3.54	90	63.1	7/16"	34.8	2-1/4 20UNC	3.03	77	8	5.31	135	22.5	35	2.24	1.02
1 1/4"	32	1.26	32	4.06	103	67.7	7/16"	38.1	2-1/4 20UNC	3.23	82	8	6.22	158	23.5	57	3.45	1.57
1 1/2"	40	1.50	38	4.72	120	78.9	1/2"	38.1	2-1/4 20UNC	3.88	98.5	9	9.96	253	23.5	80	5.02	2.28
2"	50	2	50.8	5.51	140	87.7	1/2"	38.1	2-1/4 20UNC	4.23	107.5	9	9.96	253	34	150	8.14	3.70